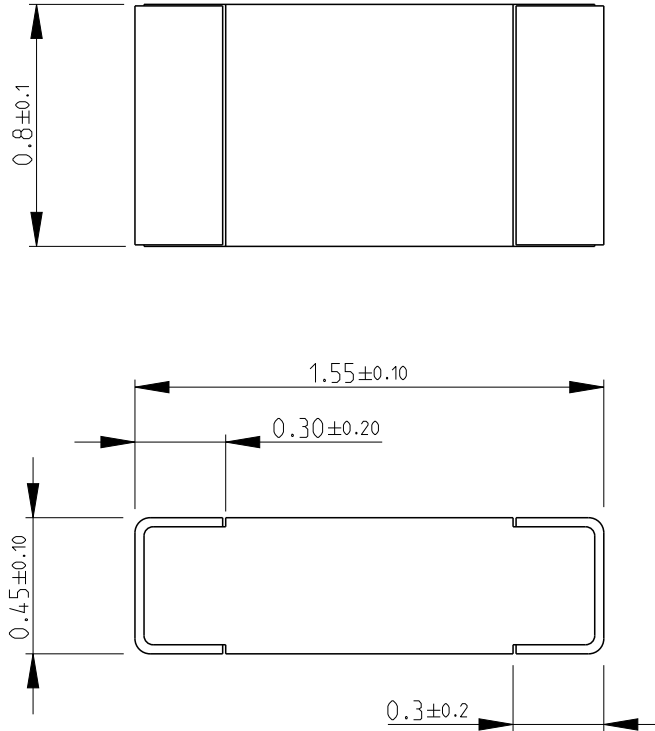
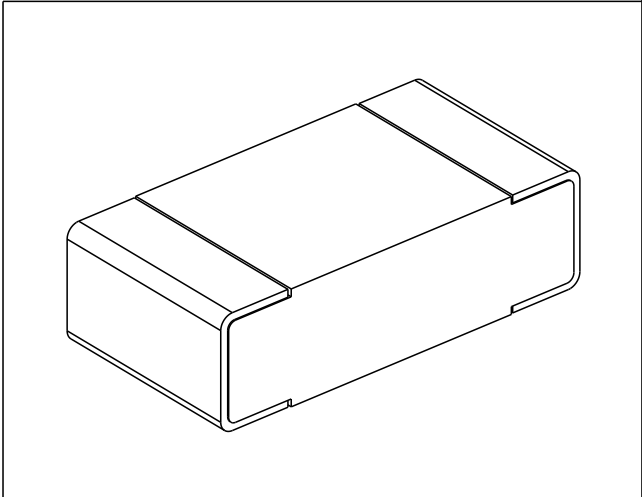


| REVISIONS |     |               |           |          |
|-----------|-----|---------------|-----------|----------|
| P         | LTR | DESCRIPTION   | DATE      | APVD     |
|           | BA1 | ECR-14-009193 | 19JUN2014 | KR<br>TN |

FOR FURTHER INFORMATION SEE DATA SHEET FOR CPF SERIES-THIN FILM PRECISION CHIP RESISTORS



RoHS Compliant



2008

RELEASED FOR PUBLICATION

ALL RIGHTS RESERVED.

THIS DRAWING IS UNPUBLISHED.

BY -

© COPYRIGHT 2008

|  |                   |              |  |           |            |               |
|--|-------------------|--------------|--|-----------|------------|---------------|
| DIMENSIONS:<br>mm                      | DWN<br>SUBHASH.M  | 29-Sep-08    | MATERIAL   | -         | FINISH     | -             |
|  | CHK<br>PRAKASH.S  | 29-Sep-08    |  |           |            |               |
| TOLERANCES UNLESS OTHERWISE SPECIFIED: | APVD<br>STEPHEN.P | 29-Sep-08    |  |           |            |               |
|  | 0 PLC $\pm 0.2$   | PRODUCT SPEC | NAME THIN FILM PRECISION CHIP RESISTORS<br>SERIES CPF 0603 |           |            |               |
| 1 PLC $\pm 0.1$                        | -                 |              |  |           |            |               |
| 2 PLC $\pm$                            | APPLICATION SPEC  | -            | SIZE   | CAGE CODE | DRAWING NO | RESTRICTED TO |
| 3 PLC $\pm$                            | -                 | -            | A 4  | 00779     | C=1879336  | -             |
| 4 PLC $\pm$                            | WEIGHT            | -            | Customer Drawing   |           |            |               |
| ANGLES $\pm 5^\circ$                   |                   |              | SCALE  | 40:1      | SHEET      | 1 OF 1        |
|  |                   |              | REV BA1  |           |            |               |